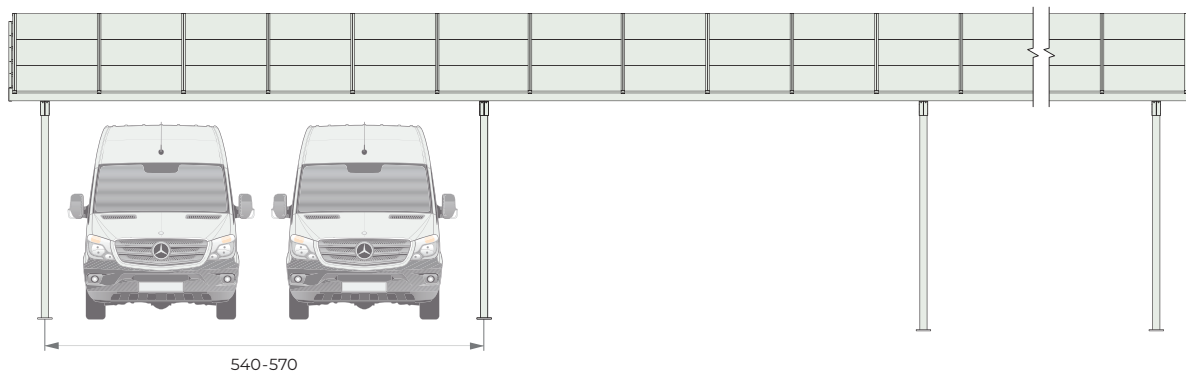
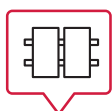


Carport NEXUS BUS



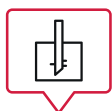
RAL color:
optional



Module layout:
vertical



Tilt angle:
10°



Foundation:
prefabricated,
reinforced concrete
or screw

Specification:

Material: S350GD and S355 structural steel with increased strength

Anti-corrosion coating: Zinc + magnelis

Warranty: 20 years

Possibility of expansion with additional stations

Adaptation of the structure to individual needs

Additional options:

▪ Prefabricated or screw foundation

▪ Sealed roof

▪ RAL color

▪ Guttering

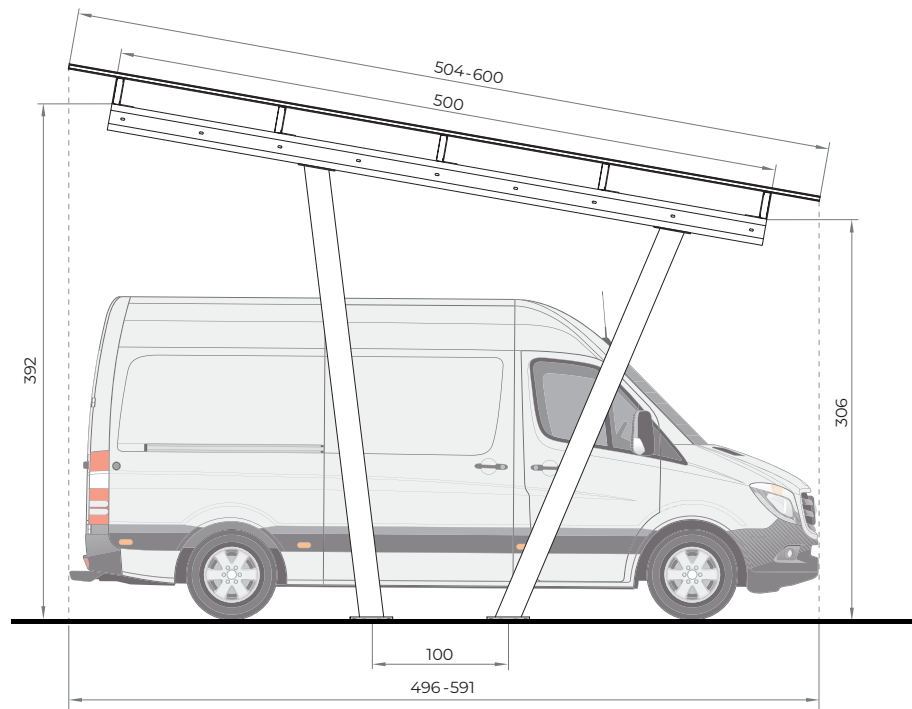
▪ LED lighting strips

▪ Inverter mounting according to individual guidelines

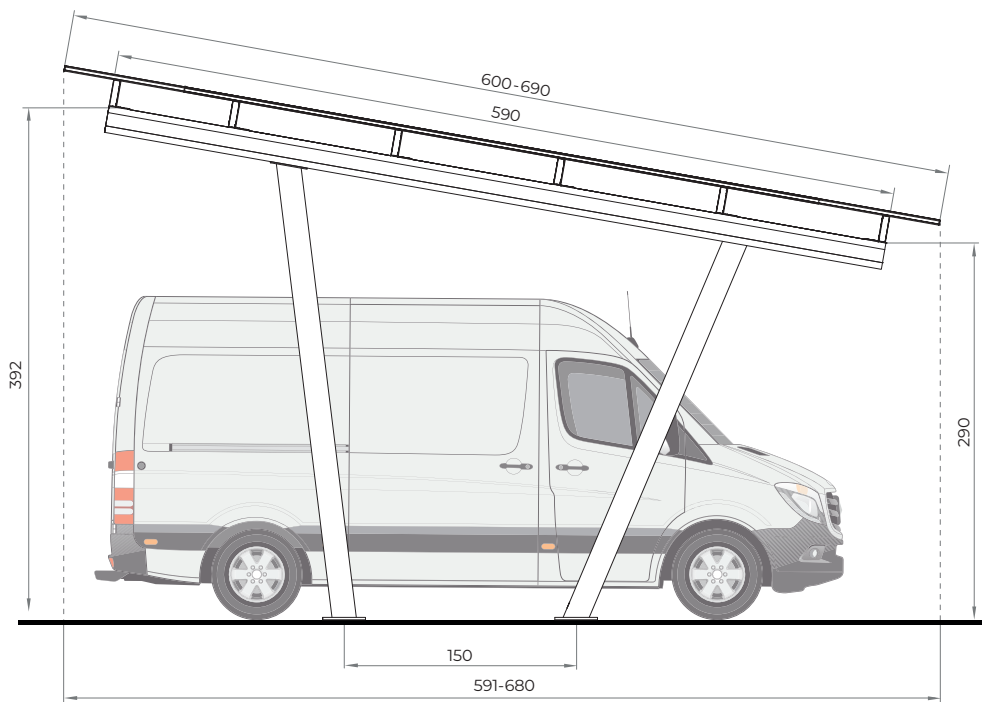
Carport **NEXUS BUS**



NEXUS BUS 500



NEXUS BUS 590



* All dimensions in [cm]