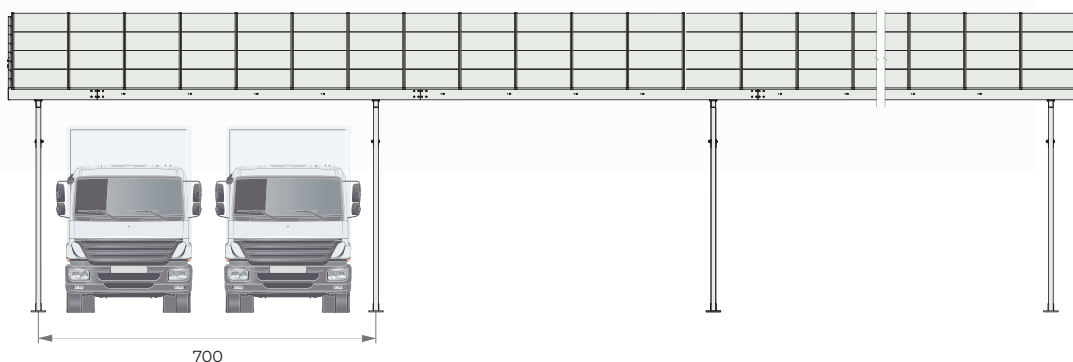
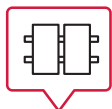




# MEGA Carport



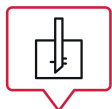
**RAL color:**  
optional



**Module layout:**  
vertical



**Tilt angle:**  
6°



**Foundation:**  
reinforced  
concrete or screw

## Specification:

**Material:** High-strength structural steel S350

**Anti-corrosion coating:** Zinc + magnelis

**Warranty:** 20 years

**Possibility of expansion with additional stations**

**Adaptation of the structure to individual needs**

## Additional options:

▪ Prefabricated or screw foundation

▪ Sealed roof

▪ RAL color

▪ Guttering

▪ LED lighting strips

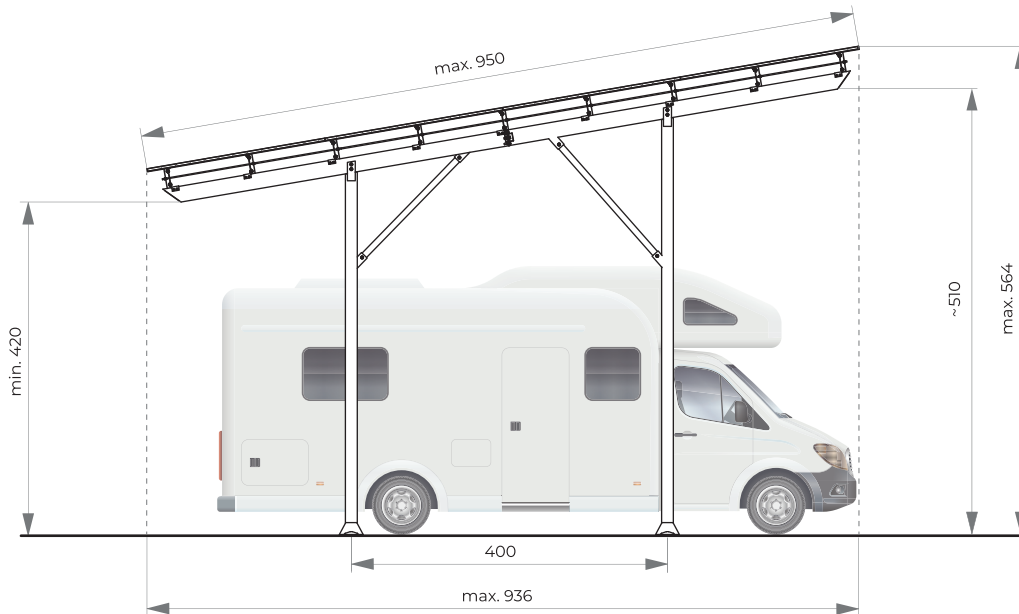
▪ Inverter mounting according to individual guidelines



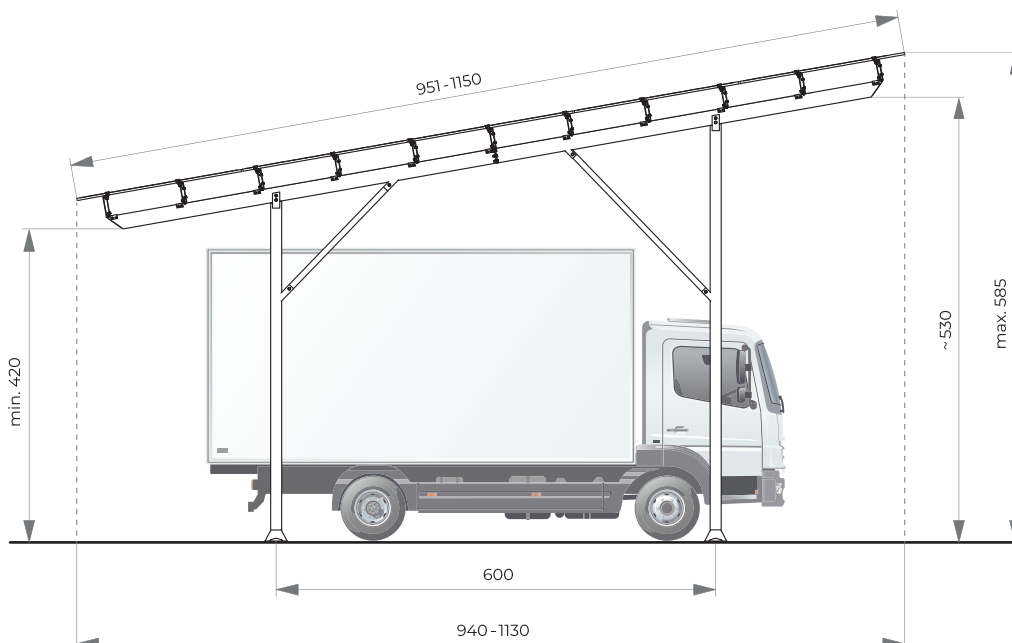
# MEGA Carport



## MEGA 950



## MEGA 1150



\* All dimensions in [cm]