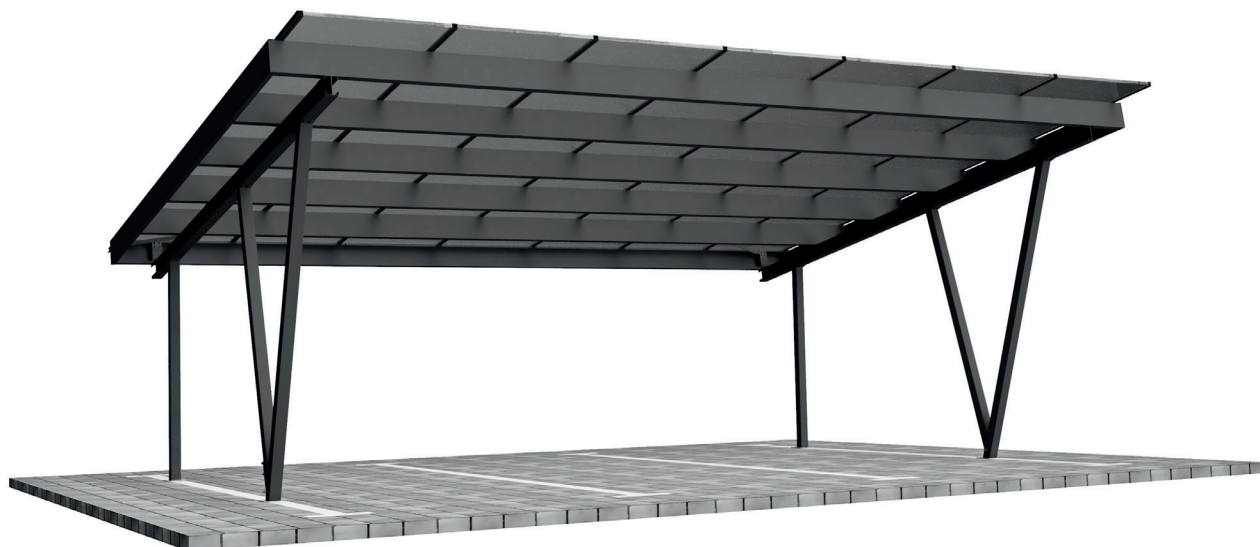
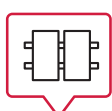
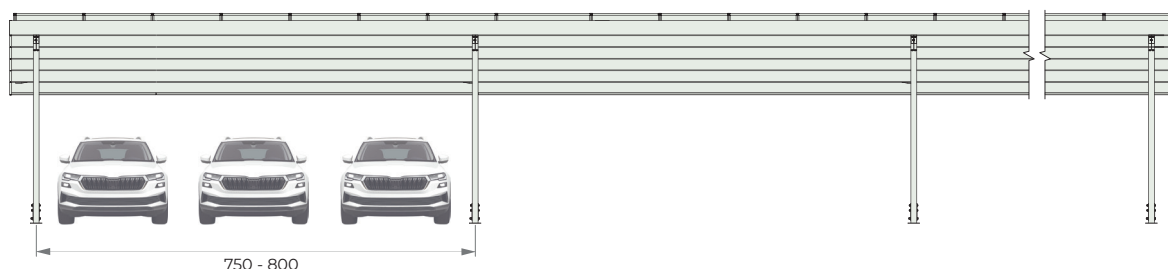




Carport VECTOR 3



RAL color:
optional



Module layout:
vertical

Specification:

Material: S350GD and S355 structural steel with increased strength

Anti-corrosion coating: Zinc + magnelis

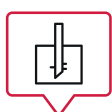
Warranty: 20 years



Tilt angle:
10°

Possibility of expansion with additional stations

Adaptation of the structure to individual needs



Foundation:
prefabricated,
reinforced concrete
or screw

Additional options:

▪ Prefabricated or screw foundation

▪ Sealed roof

▪ RAL color

▪ Guttering

▪ LED lighting strips

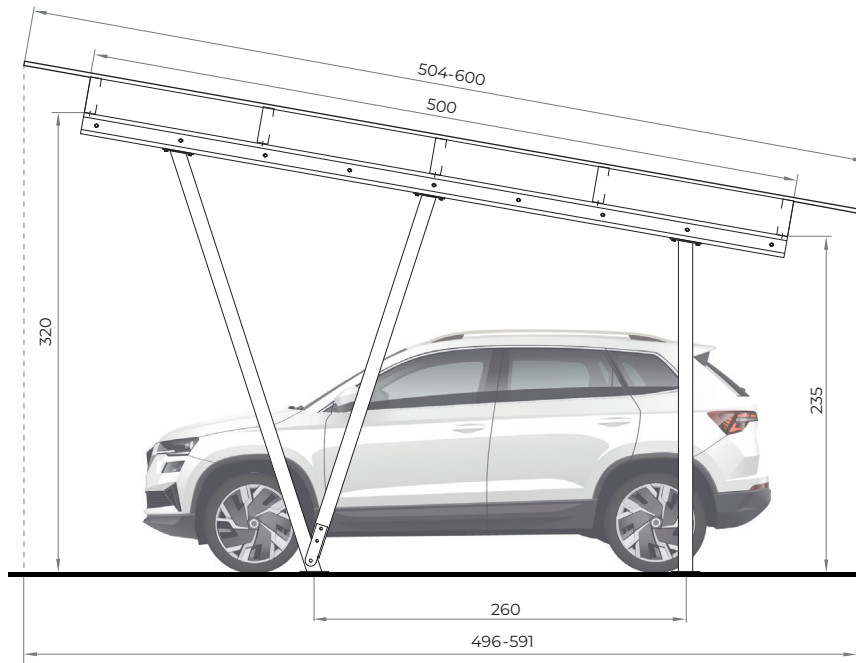
▪ Inverter mounting according to individual guidelines



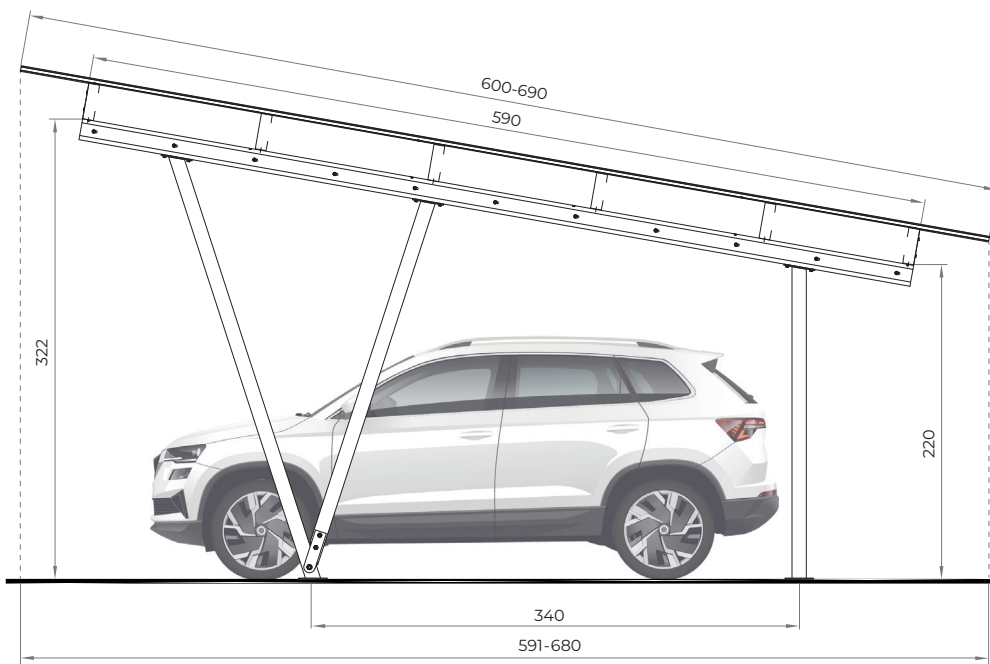
Carport VECTOR 3



VECTOR 3/500



VECTOR 3/590



* All dimensions in [cm]